

BOARD OF SUPERVISORS

Madison County, Mississippi


E-911 Administration Office

146 W. Center Street, Room 203, PO Box 608, Canton, MS 39046

T: (601) 859-6485 F: (601) 859-4743

DATE: June 30, 2014

TO: Madison County Board of Supervisors

FROM: Butch Hammack 
Emergency Management Office

RE: Road Claim
Larry Ross

After further investigation on the above referenced claim, it is the recommendation of the Emergency Management Office to approve and pay the claim to the order of Larry Ross in the amount of \$693.64 for stated repairs. If any further information is needed, please contact our office.

This is a problematic area and a reoccurring pothole.

ROAD CLAIM INCIDENT REPORT

In order to process claim, please print & fill out completely, then return to Madison County Road Dept. or Madison Co. EMA office along with two signed estimates for damages being claimed.

<p>Personal Information</p>	<p>Date: <u>6/23/14</u></p> <p>Name: <u>LARRY ROSS</u></p> <p>Mailing Address: <u>156 Patrick Rd.</u> <u>Canton, MS 39046</u></p> <p>Contact #: <u>859-5198 OR 540-8799.</u></p> <p>Make/ Model of Vehicle: _____</p>
<p>Incident Information</p>	<p>Please answer questions below in relations to the incident being reported:</p> <p>Date: _____ Time: _____</p> <p>Location: <u>Virellia Rd.</u> <small>(name of road incident occurred)</small></p> <p>Area Landmarks: _____</p> <p>Approx. Speed at time of incident: _____</p> <p>Direction of Travel: _____</p> <p>Cause of Incident: <u>Potholes</u> <small>(ie: pothole, rock, etc..)</small></p> <p>Area of vehicle damaged: _____</p>
<p>Incident Summary</p>	<p>Please write a brief summary of the incident (use back if needed):</p> <p><u>Received from Mr. Banks</u></p>

OFFICE USE ONLY:

Date Received: _____ Received by: _____ Dept: _____

LARRY ROSS

Number:	Q8939	Invoices:		Parts:	642.27
Cust:	6P1	Zone:		Fees:	0.00
Name:	CASH	Sale Type:	CASH	Freight:	0.00
Addr:		Price Code:	1	Tax:	51.37
C/S/Z:		Salesperson:		Total:	693.64
Phone:		PO:			
Emp:	10100				
Via:					

Primary	Order	Price	Additional	Local	Locate					
PART-NO.	DESC	O.H.	BIN	COMP	LIST	Q.S.	E-SALE	GPP		
C2Z29103	UNDERTRAY	0	SO	186.44	159.36	1	186.44	4.4		
C2Z17710	UNDERTRAY	MEMO	SO	200.61	185.75		0.00	4.4		
C2Z26070	UNDERTRAY	0	VHANG	206.62	176.61	1	206.62	4.4		
C2S9354	RIVET-BLI	MEMO	1115A	2.10	1.30		0.00	0.0		
C2S9354020	RIVET-BLI	4	1117E	2.01	0.50	8	16.08	2.6		
C2C32665	BOLT	MEMO	1119F	2.35	1.35		0.00	0.0		
C2C32665010	BOLT	9	1119F	5.34	1.39	8	42.72	1.8		
C2C32664	SCREW/WAS	0	SO	2.03	1.49	2	4.06	8.8		

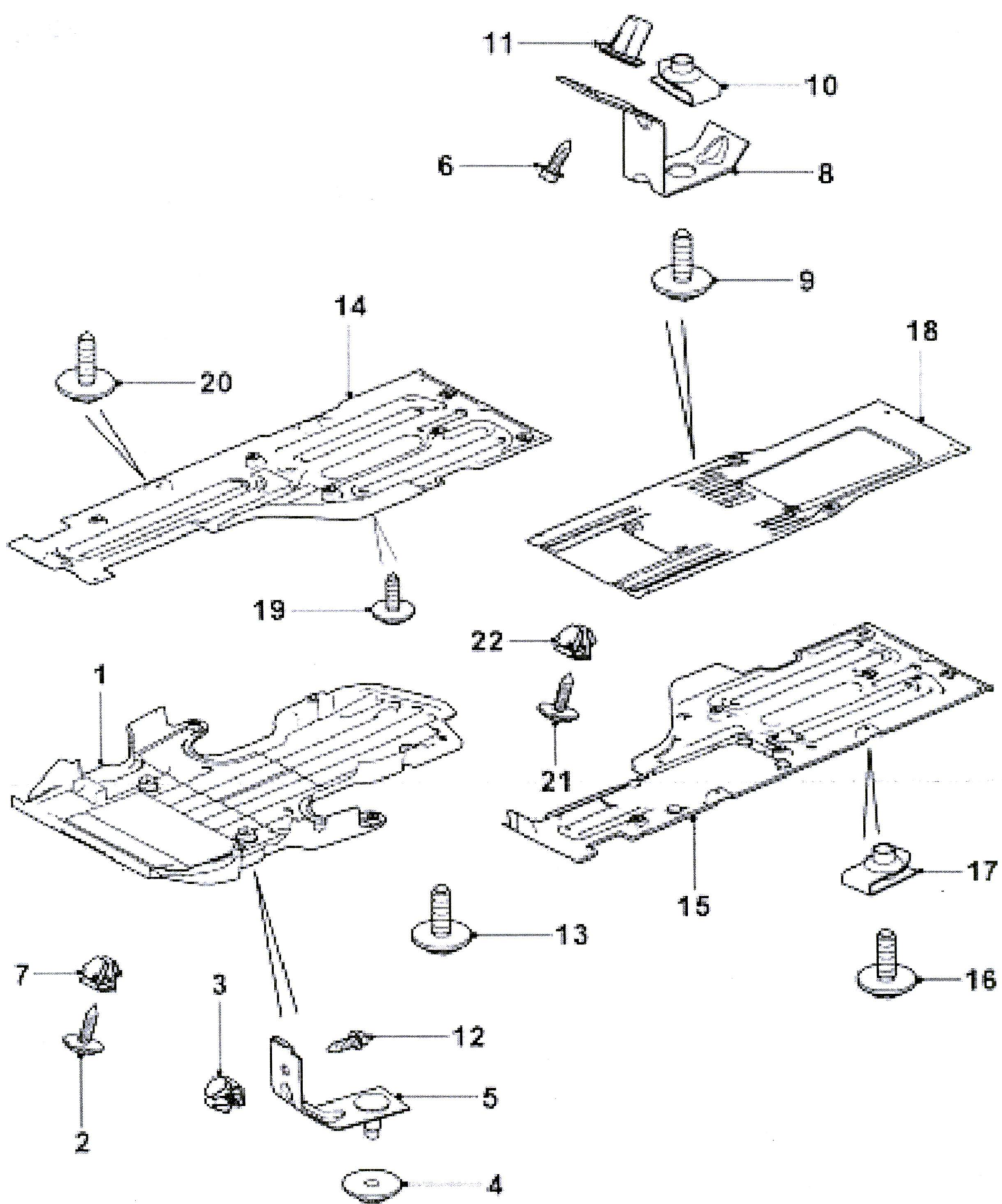
<Expanded> Page 2 of 2 6 parts

PART NO.

Enter a part number, or multiple part numbers separated by spaces

F1-Help	F3-Save	F4-Cancel	F9-Veh/Cust Dtl	F12-Search	SF11->
---------	---------	-----------	-----------------	------------	--------

6/23/14 - called Larry Jenkins @ dealership to see if he had Mr. Ross contact info -
 Said quote was under different name with no contact info - ?



ZW11125A